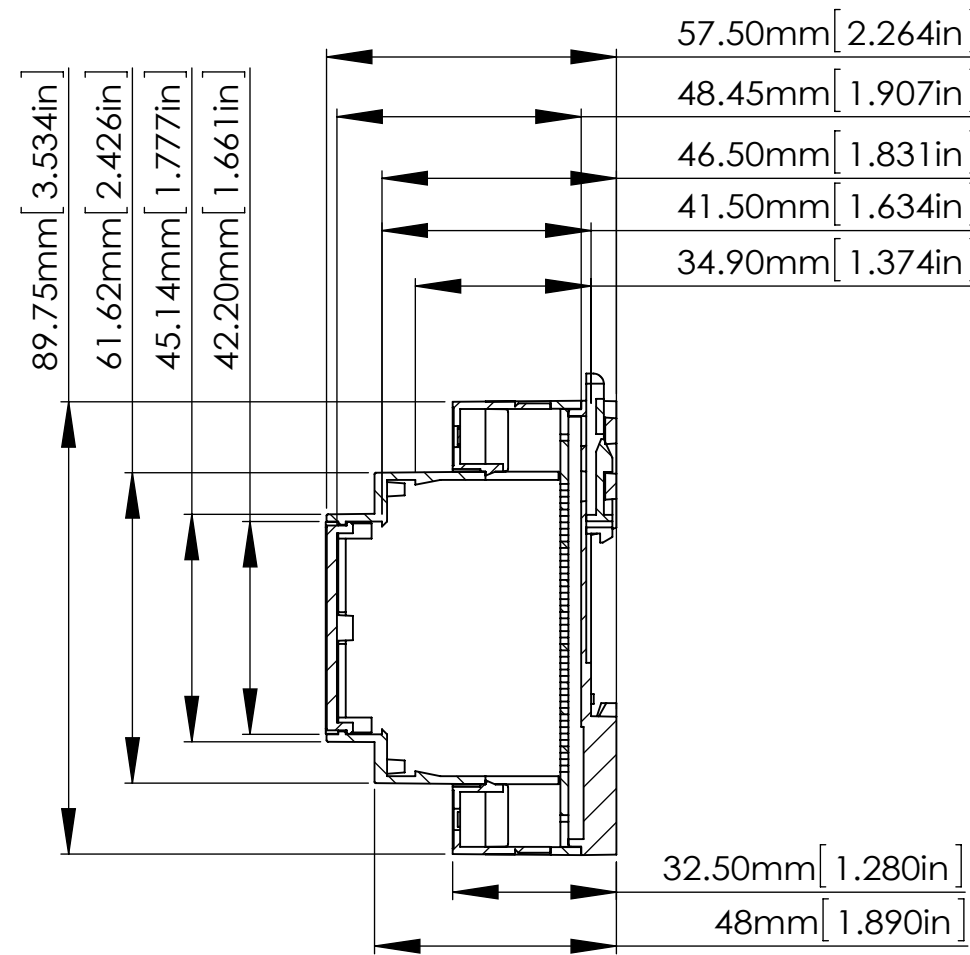
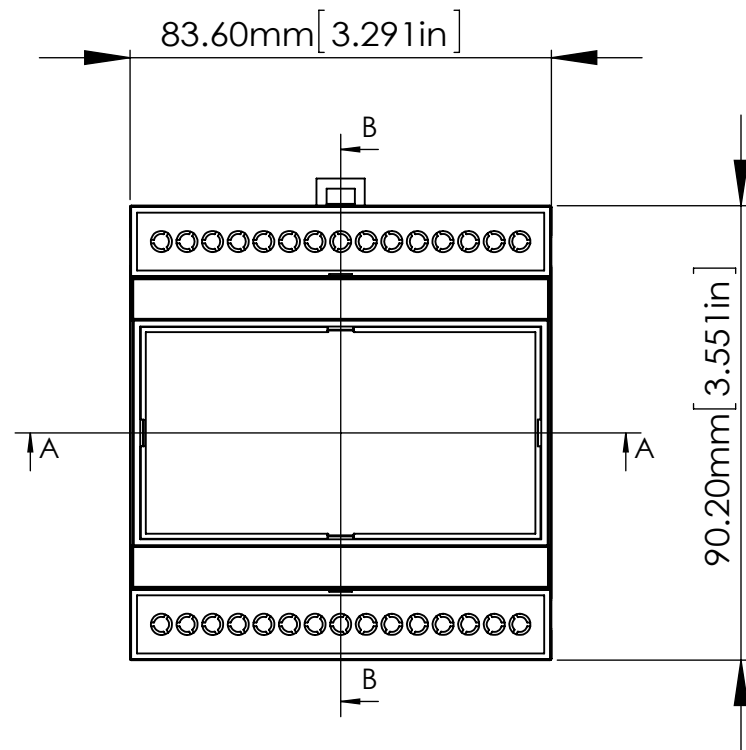
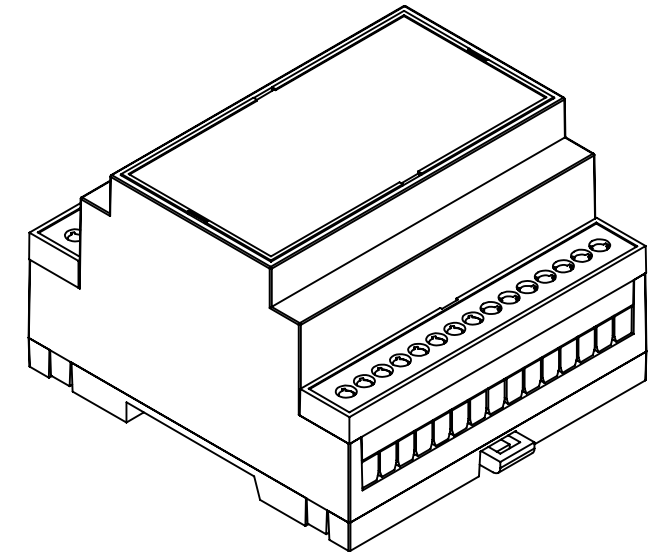


SECTION A-A
SCALE 2:3



SECTION B-B
SCALE 2:3



ASSEMBLY

ITEM	DESCRIPTION	MATERIAL	COLOUR	UNIT
1	D5MG-BODY	PC/ABS(UL94-V0)	GREY	1
2	D5MG-BASE	PC/ABS(UL94-V0)	GREY	1
3	D5MG-COVER	PC/ABS(UL94-V0)	GREY	1
4	D5MG-GUARD	PC/ABS(UL94-V0)	GREY	2
5	D5MG-WALL CLIP	NYLON66(UL94-V0)	DARK GREY	1

宣又實業有限公司
GAINTA INDUSTRIES LTD.

繪圖 DRA'D BY
JACKY

日期 DATE
2016/08/22

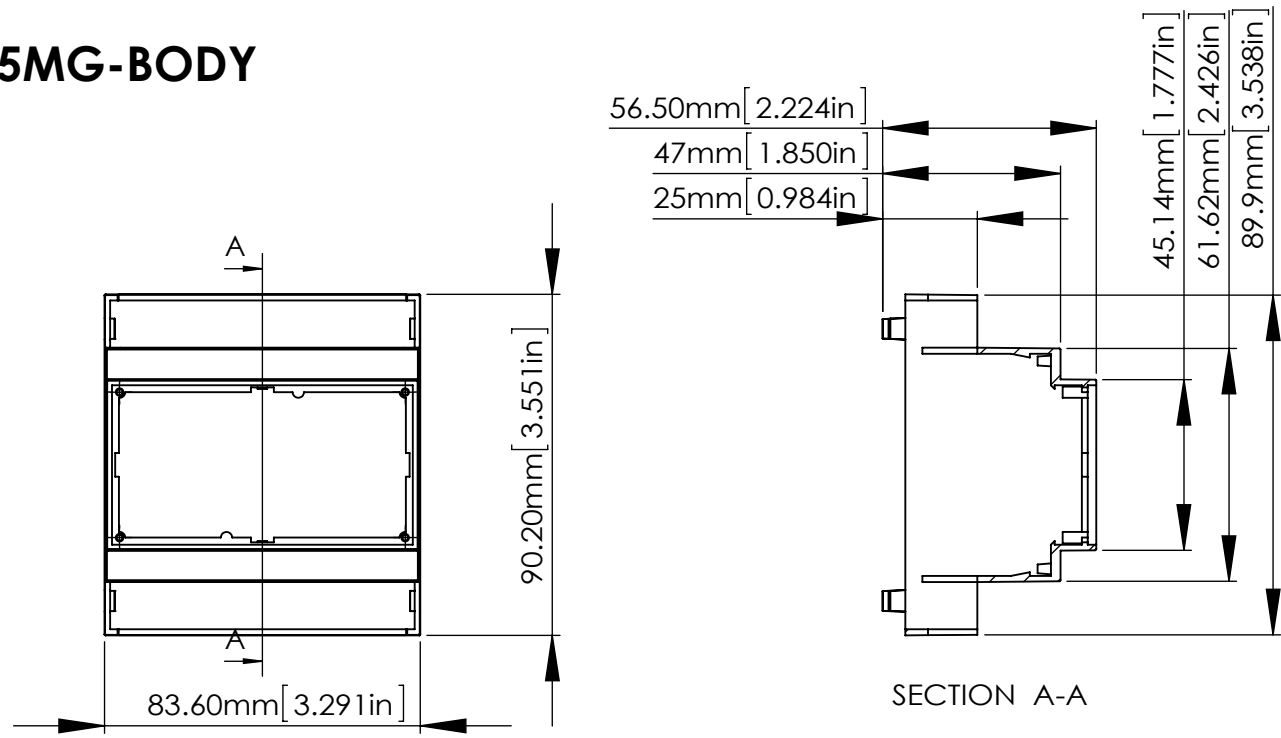
材質 MATE.
PC/ABS(UL94-V0);
NYLON66(UL94-V0)

圖名TITLE:
D5MG-ASSEMBLY

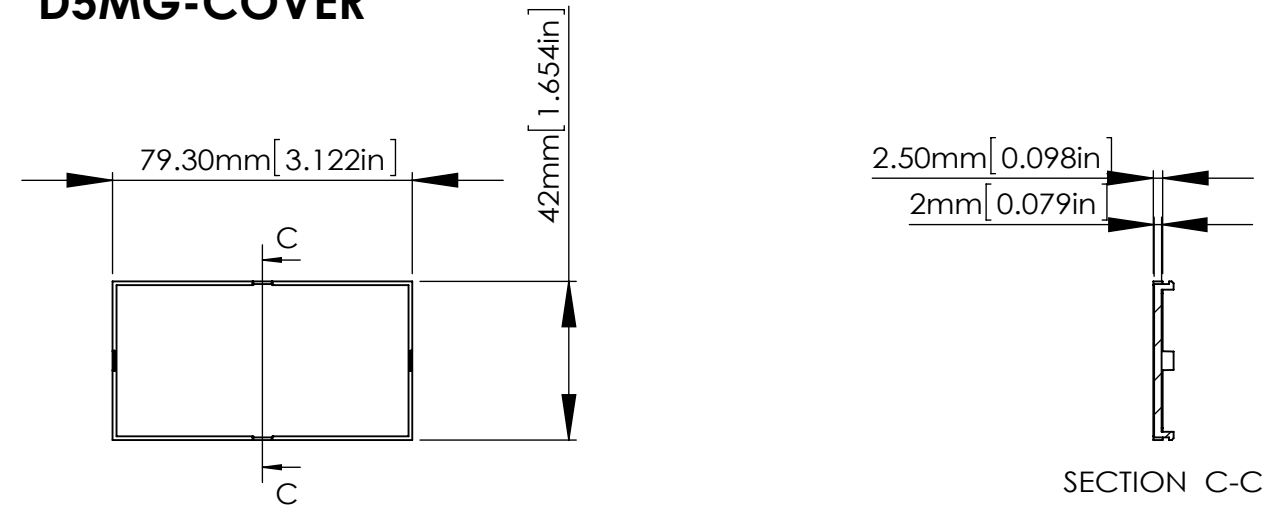
圖號DWG NO:

版次REVISED:
A

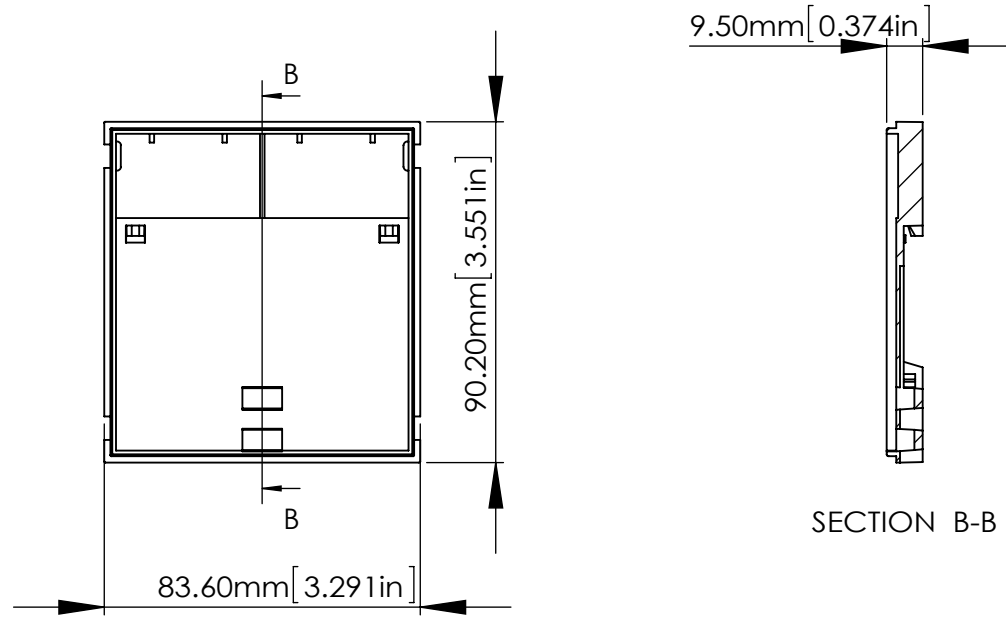
D5MG-BODY



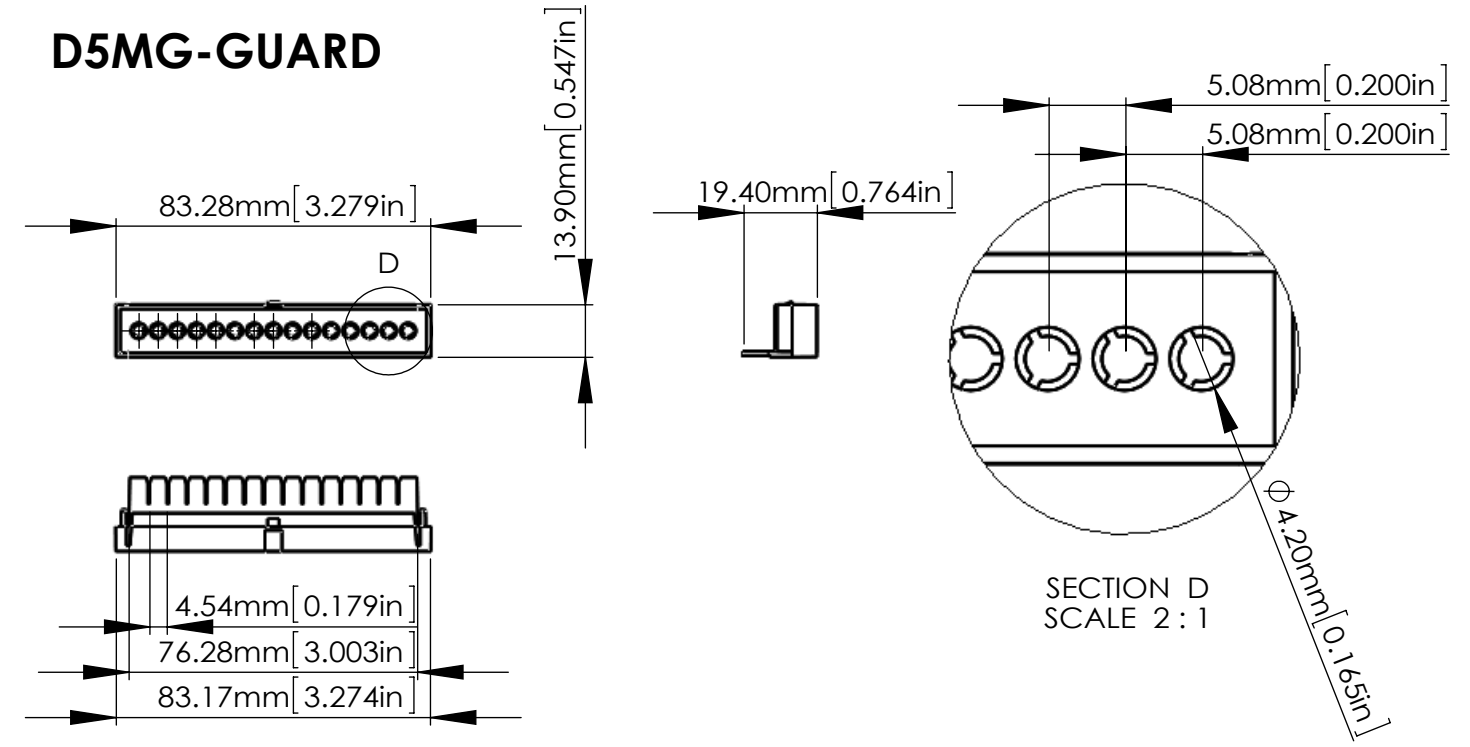
D5MG-COVER



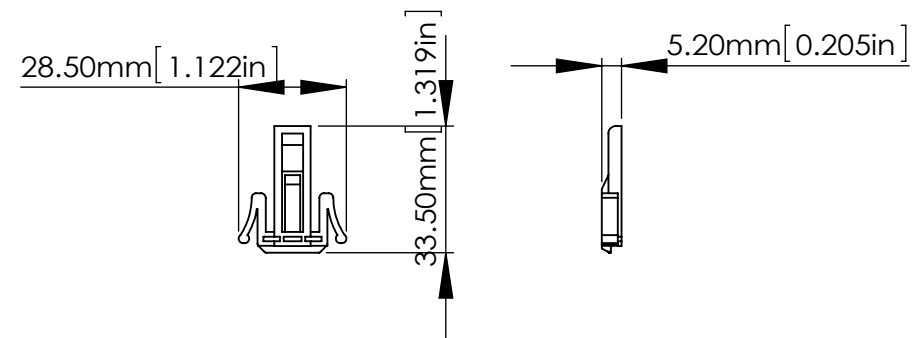
D5MG-BASE



D5MG-GUARD



D5MG-WALL CLIP



宣又實業有限公司
GAINTA INDUSTRIES LTD.

繪圖 DRA'D BY
JACKY

日期 DATE
2016/08/22

材質 MATE.
PC/ABS(UL94-V0);
NYLON66(UL94-V0)

圖名TITLE:
D5MG-PART

圖號DWG NO:

版次REVISED:
A