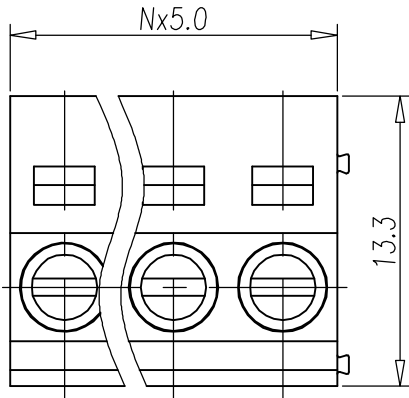
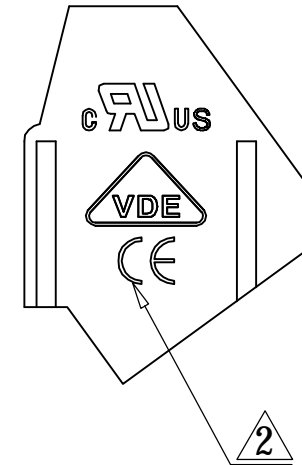
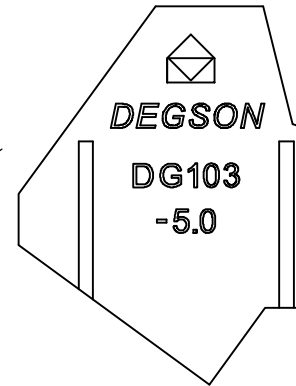
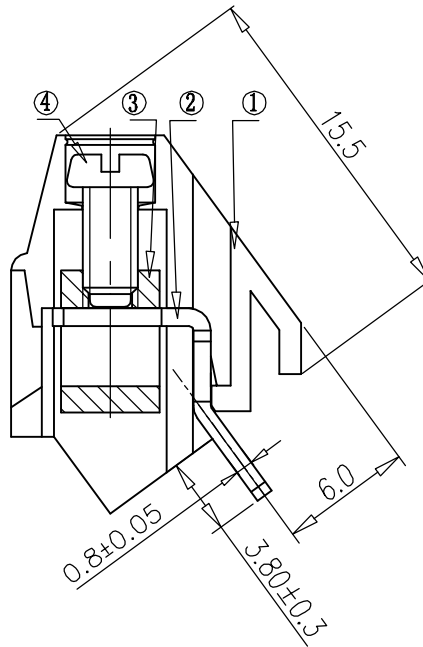
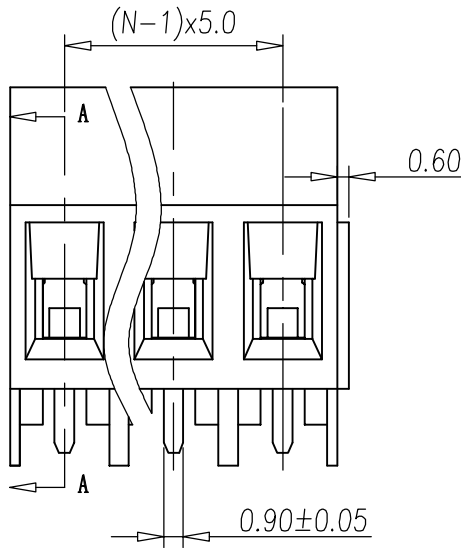


REVISION RECORD				
REV	ECO	DESCRIPTION	DRFT	DATE
△		Drawing Revise	Haoyh	03/20/06
△		增加VDE、CE标志	LJH	11/14/07*
△		增加VDE参数	LJH	01/03/08*



- Notes:
1. Pitch: 5.0mm
 2. Rated voltage/current: UL 300V/10A
VDE 250V/24A
 3. Insulation resistance: 5000MΩ/DC1000V
 4. Withstanding voltage: AC2000V/1Min
 5. Wire range: 24-12AWG 2.5mm²
 6. Temp. Range: -40° C~+105° C
 7. Torque: 4.08kgf.cm
 8. Undimensioned Tolerances:

Pitch range in mm			Nominal dimension range in mm					
	over 6	over 10		over 30	over 60	over 100	over 150	∩
to 6	to 10	to 24	to 30	to 60	to 100	to 150		∇
±0.10	±0.15	±0.25	±0.2	±0.3	±0.5	±0.7	±1.0	0.05/10



SECTION A-A

4	DG128"—"Screw	S000001460 (H)	XX	Steel	Cr ³⁺ Zn
3	DG128 Cage	X000000020 (H)	XX	Brass	Ni plated
2	DG103 Pin	4025B00010 (H)	XX	Brass	SnCe

ITEM	NAME OF PART	NO. OF PART	Q'TY	MATERIAL	NOTES																								
1	DG103-5.0-Housing	4025A0YXXA (H)	1	PA66	UL94V-0																								
<table border="1"> <tr> <td>← MM (INCH) →</td> <td>DFTO Haoyh</td> <td>DATE 03/20/06</td> </tr> <tr> <td>TOLERANCES EXCEPT AS NOTED</td> <td>CHKD</td> <td>DATE</td> </tr> <tr> <td></td> <td>MFO</td> <td>DATE</td> </tr> <tr> <td></td> <td>APPVL</td> <td>DATE</td> </tr> <tr> <td></td> <td colspan="2">MATERIAL :</td> </tr> <tr> <td></td> <td colspan="2">G.E. :</td> </tr> <tr> <td></td> <td colspan="2">FINISH :</td> </tr> <tr> <td></td> <td colspan="2">SCALE : 1:1</td> </tr> </table>		← MM (INCH) →	DFTO Haoyh	DATE 03/20/06	TOLERANCES EXCEPT AS NOTED	CHKD	DATE		MFO	DATE		APPVL	DATE		MATERIAL :			G.E. :			FINISH :			SCALE : 1:1		宁波高正电子有限公司 DEGSON [®] DEGSON ELECTRONICS CO., LTD NAME DG103-5.0-XXP-1Y-00A(H) DRAWING NO. DG103-5.0-E07 /PART NO. DO NOT SCALE DRAWING			
← MM (INCH) →	DFTO Haoyh	DATE 03/20/06																											
TOLERANCES EXCEPT AS NOTED	CHKD	DATE																											
	MFO	DATE																											
	APPVL	DATE																											
	MATERIAL :																												
	G.E. :																												
	FINISH :																												
	SCALE : 1:1																												
ANGLES ± 1° THIRD ANGLE PROJECTION			SIZE A3	REV T3	DATE 01/03/08*																								