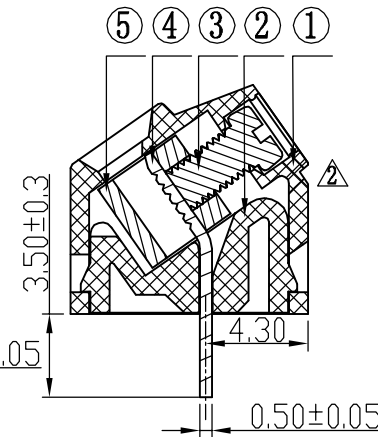
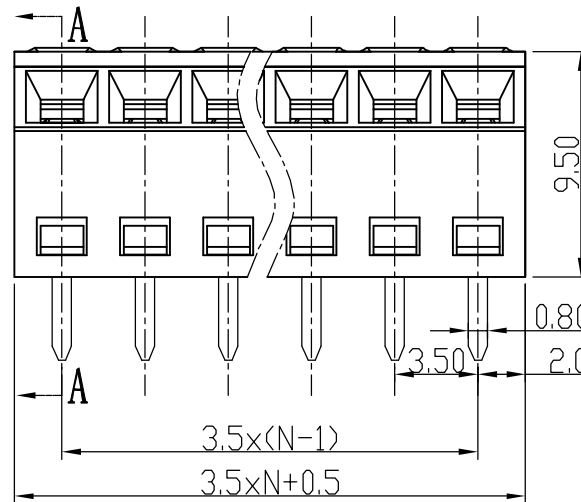
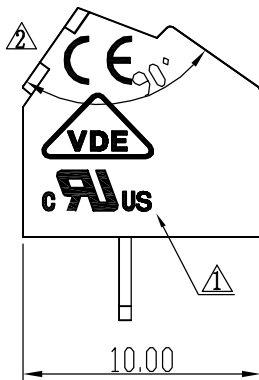
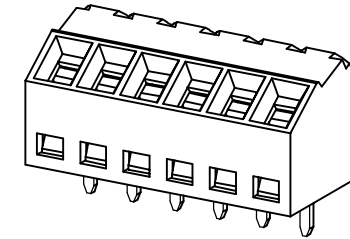
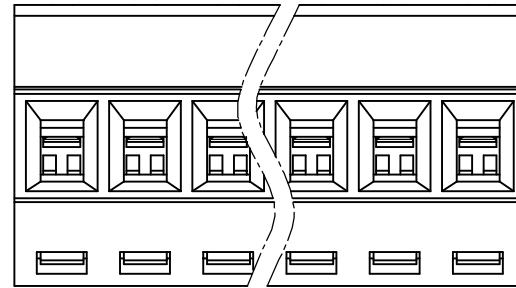


REVISION RECORD				
REV	ECN	DESCRIPTION	DRFT	DATE
▲	10-0152	增加UL刻字	Lasting	23/05/10
▲	10-0279	避专利修改外观	PwngWu	08/30/10



Notes:

- Pitch: 3.5mm, Poles: 2-16P
- Rated voltage/current: UL 300V/10A
IEC 130V/10A
- Operation temperatures: -40°C ~ +105°C
- Withstanding Voltage: AC2000V/1Min
- Insulation Resistance: 5000MΩ/DC1000V
- Wire Range: 26~16AWG, 1.0mm²
- Max. Torque Value: M2, 2.04kgf.cm
- Undimensioned Tolerances:

Pitch range in mm		Nominal dimension range in mm						
to 6	over 6 to 10	over 10 to 24	over 24 to 30	over 30 to 60	over 60 to 100	over 100 to 150	150	
±0.10	±0.15	±0.25	±0.2	±0.3	±0.5	±0.7	±1.0	
							0.05/10	

5	DG381 Cage	X000000300 (H)	XX	Brass	Ni plated
4	DG381S-3.5 Pin header	4147B00010 (H)	XX	Copper	SnCe
3	DG381 Screws	S000001440 (H)	XX	Steel	Cr ³⁺ Zn
2	DG381S-3.5-Cover	4147C0YXXA (H)	1	PA66	UL94V-0

ITEM	NAME OF PART	NO. OF PART	Q'TY	MATERIAL	NOTES
1	DG381S-3.5-Housing	4147A0YXXA (H)	1	PA66	UL94V-0

TOLERANCES EXCEPT AS NOTED		DATE	10/24/08*
MM	±	CHK'D	DATE
.0 ±	±	MFD	DATE
.00 ±	±	APP'VL	DATE
.000 ±	±	MATERIAL	

DETACHED LISTS		G.E. :	
ANGLES ± 1°			
THIRD ANGLE PROJECTION		FINISH:	
		SCALE : 1:1	

DEGSON 宁波高正电子有限公司 DEGSON ELECTRONICS CO., LTD			
NAME: DG381S-3.5-XXP-1Y-00A(H)			
DRAWING NO. DG381S-3.5-E01			SIZE A3
/PART NO.			REV T2 08/30/10
DD NDT SCALE DRAWING		SHEET 1	OF 1