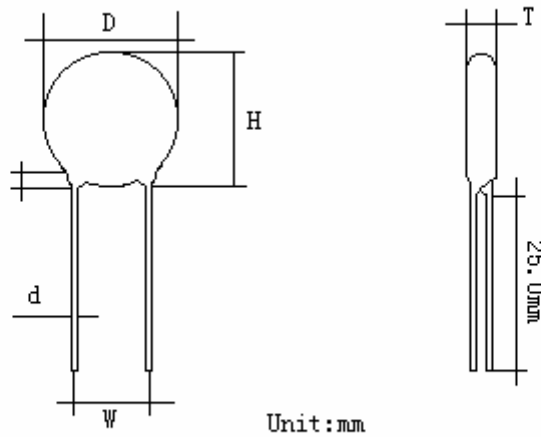


Varistors 14K275

SPECIFICATION



1. Dimension:

	Dmax	Hmax	Tmax	Lmax	d +/-0.1	W +/-1.0
A	17.0	20.0	5.4	25	0.8	7.5

A: standard sizes

2. Parameter:

Peak pulse current (8/20us)	1 pulse	4500A
	2 pulse	2500A
static state power	0.6W	
Varistor Voltage	430V	
Max Allowable Voltage	AC	275V
	DC	350V
Clamping voltage (50A)	710V	
Max absorption Energy (J/2ms)	75J	

Test current waveform 8/20us

Non-flammable epoxy resin .yellow