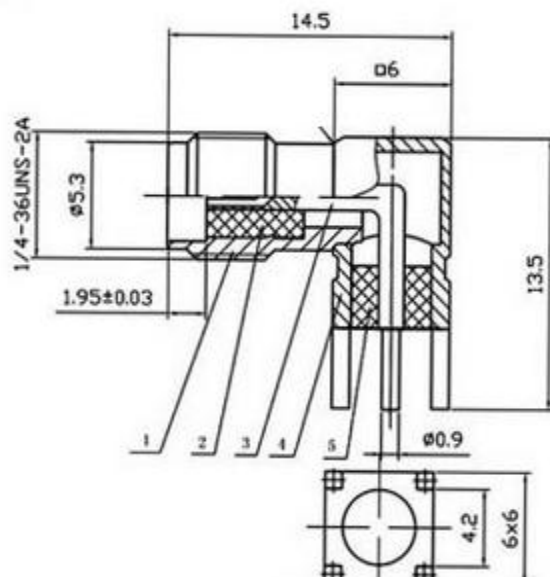


SMA-PP



ZIP-2002.ru

Увеличить



ENVIRONMENTAL CONDITIONS

Temperature Range	-55°C~+155°CPE Cable -40°C~+85°C
Frequency Range	DC ~12.4 GHz (semi-rigid cable to 18 GHz)idi-language:AR-SA">°C~+85°C
Impedance	50 Ω
Working Voltage	335 V r.m.s , at sea level
Vibration	100 m/S2 (10~500Hz), 10g
Salt spray teste	5% NaCl solution; test time≥48h
Waterproof Sealing	IP67

TECHNICAL CHARACTERISTICS

Withstanding Voltage	1000 V r.m.s,at level sea
Contact Resistance	
Center contact	≤3.0 MΩ
Outer contact	≤2.5 MΩ
Insulation Resistance	≥5000 MΩ
Center Conductor Retention Force	≥0.28 N
Coupling nut retention Force	≥180 N
Insertion Loss	≥0.15dB/6GHz
V.S.W.R	
Straight	Flexible cable≤1.10+0.02f Semi-rigid cable≤1.07+0.01f
Right angle	Flexible cable≤1.20+0.03f Semi-rigid cable≤1.17+0.02f
Shielding power	≥100dB/3GHz
Average power	=0.3KW/3GHz
Durability(matings)	≥500