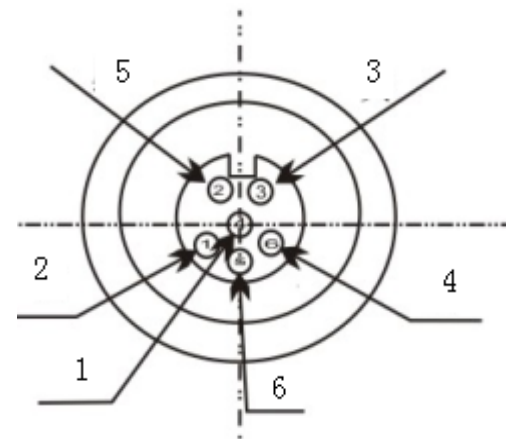
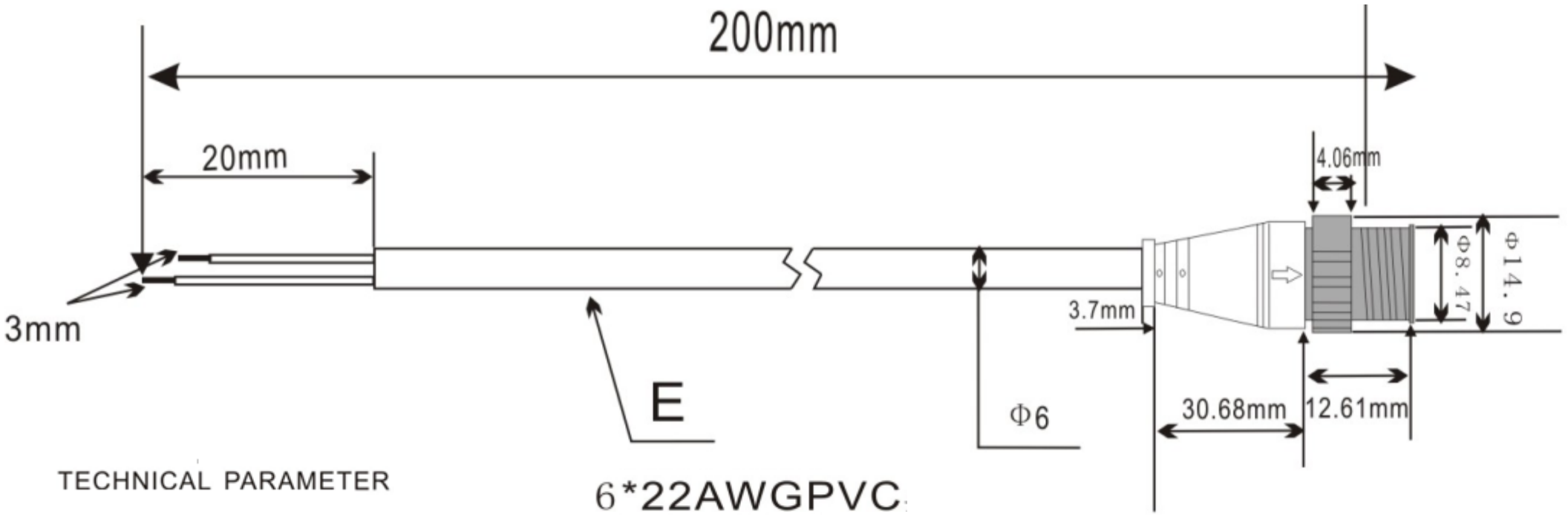


- 1 white
- 2 red
- 3 yellow
- 4 green
- 5 black
- 6 blue





TECHNICAL PARAMETER

6*22AWGPVC

Relative humidity: 90%+40°C

Voltage Rating: 125-250V AC, DC

Current rating: 2A

Contact Resistance: $\leq 0.1 \Omega$

Insulation resistance: $\geq 100M\Omega$

Resist-Electric strength: 300V AC/min

Waterproof Level: Ip67

- 1 white
- 2 red
- 3 yellow
- 4 green
- 5 black
- 6 blue

